

Guedel Airways

DESCRIPTION

The m|devices Guedel Airways are made from semi-rigid, non-toxic polyethylene and are compliant to ISO standard lengths. They are available in a wide range of sizes which are colour coded for easy identification, and are suitable for both adult and paediatric patients.

FEATURES & BENEFITS

- Suitable for adult and paediatric patients
- Semi-rigid, non toxic polyethylene
- Colour coded
- Wide range of sizes

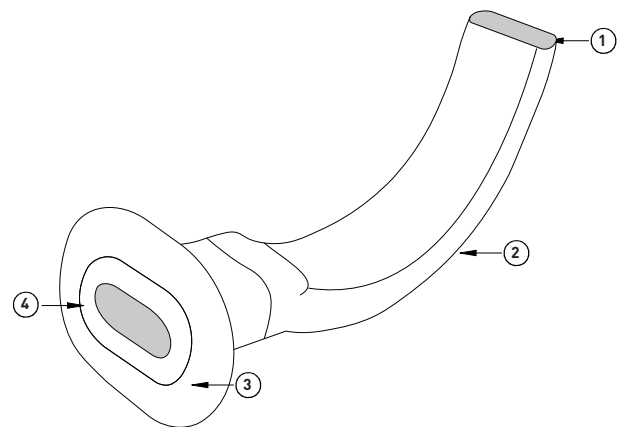
PRODUCT DATA

- DEHP YES = Product contains Phthalates such as the PVC Plasticizer Di-(2-ethylhexyl)-phthalate (DEHP).
- Not Made with Natural Rubber Latex
- ARTG Number: 227534
- Shelf Life: 5 Years
- Material: Polyethylene
- Sterile: No

STANDARDS

- ISO10993-10:2002 Biological evaluation of the medical devices-Part 10: Tests for irritation and sensitization
- ISO14155-2:2003 Clinical investigation for medical devices for human subjects—part2:Clinical investigation plans
- ISO 14971:2007 Medical devices-Application of risk management to medical devices

PRODUCT DIAGRAM



ITEM	DESCRIPTION
1	Hallow Centre
2	Body
3	Flange
4	Colour Connector

AN09000NS	000	Pink
AN09001NS	00	Dark Blue
AN09002NS	0	Black
AN09003NS	1	White
AN09004NS	2	Green
AN09005NS	3	Yellow
AN09006NS	4	Red
AN09007NS	5	Light Blue
AN09008NS	6	Orange

Guedel Airways

Guedel Airways					
RE-ORDER	DESCRIPTION	SIZE	COLOUR	LENGTH	CARTON/QTY
AN090000NS	Guedel Airway	No.000	Pink	40mm	50
AN090001NS	Guedel Airway	No.00	Blue	50mm	50
AN090002NS	Guedel Airway	No.0	Black	60mm	50
AN090003NS	Guedel Airway	No.1	White	70mm	50
AN090004NS	Guedel Airway	No.2	Green	80mm	50
AN090005NS	Guedel Airway	No.3	Yellow	90mm	50
AN090006NS	Guedel Airway	No.4	Red	110mm	50
AN090007NS	Guedel Airway	No.5	Light BLue	120mm	50
AN090008NS	Guedel Airway	No.6	Orange	130mm	50